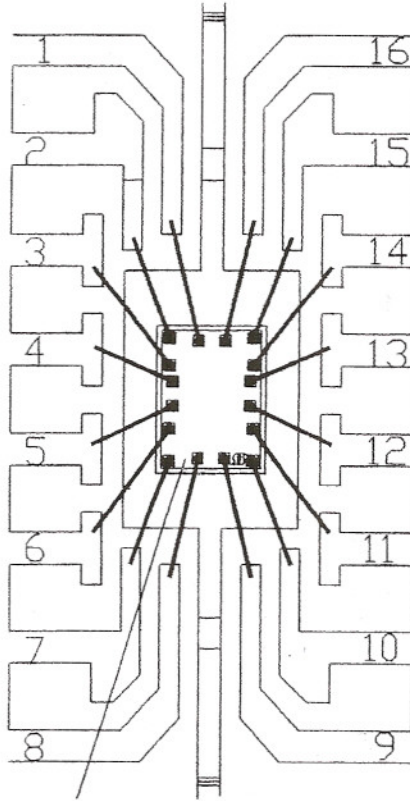




Sierra Components, Inc.

2222 Park Place Building 3 Suite E • Minden, Nevada 89423
Phone: 775.783.4940 Fax: 775.783.4947



Topside Metal: Aluminum
Backside Material: Silicon
Backside Potential:
Bond Pad Size: .004" Min.
Mask Ref: B

APPROVED BY: DG

DIE SIZE: .056" x .074"

DATE: 12/23/04

MFG: Siliconix

THICKNESS: .015"

P/N: DG445

DG 10.1.2
Rev A 3-4-99